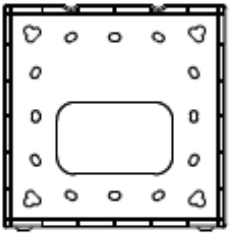
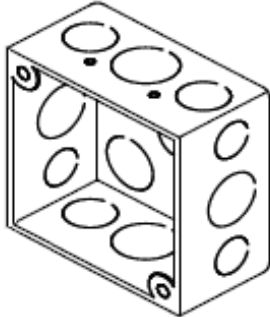
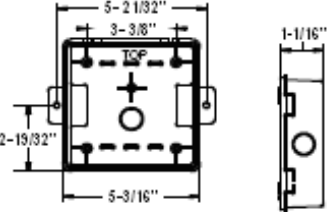
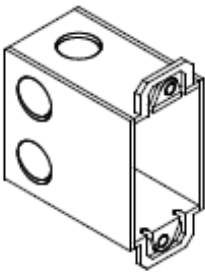
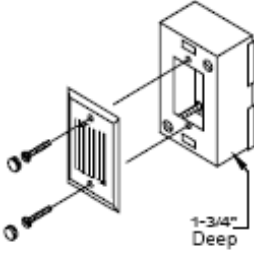
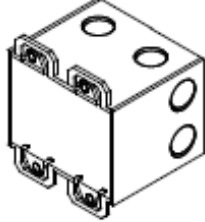
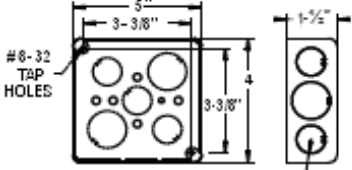
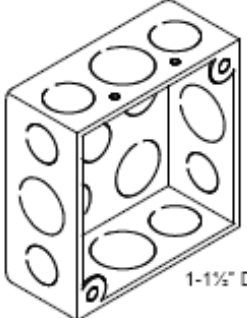
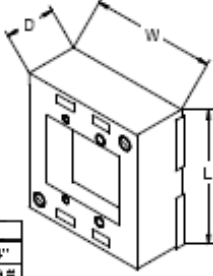
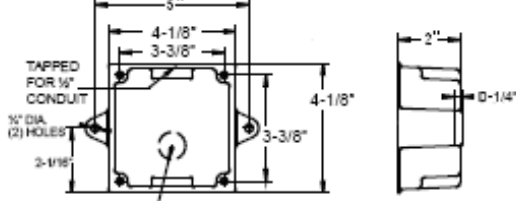


Notification Appliances

Mounting Options

Mounting Diagrams | Mounting Matrixes | Mounting Notes

ARCHITECT AND ENGINEER SPECIFICATIONS

<p>(A) UNIVERSAL MOUNTING PLATE</p>  <p>"AS" Mounting (Item included with AS series devices)</p> <p>Used with Series AH, AS</p>	<p>(E) 4" SQUARE, DEEP, FLUSH (BO)</p>  <p>Used with Series AH, AS, B6, B10, HS, LFS, MBDC, MH115, MTH, NH, NS, SEH, SEFH, SETSF, SET-ULC, ST, ZH, ZR</p>	<p>(I) WPBBS ORDER CODE - RED: 500-636137 Plastic backbox for surface mounting AS series weatherproof, outdoor products.</p>  <p>Used with Series AS (Weatherproof)</p>								
<p>(B) SINGLE-GANG, FLUSH (BO)</p>  <p>Used with Series AH, AS, MH, NH, NS, ST, ZH, ZR</p>	<p>(C) SINGLE-GANG, SURFACE (BO)</p>  <p>Used with Series MH</p>	<p>(F) DOUBLE-GANG, FLUSH (BO)</p>  <p>Used with Series AH, AS, HS, MTH, NH, ST, ZH, ZR</p>	<p>(J) BBS BACKBOX ORDER CODE - RED: 500-636110 Standard steel backbox with knockouts for interior surface mounting, concealed conduit mounting or semi-flush applications.</p>  <p>PROVIDED WITH KNOCKOUTS FOR 1/2" & 3/4" CONDUITS.</p> <p>Used with Series AH, AS, B6, B10, DSC, MBDC, MH115, MTH-15-115, NH, ST</p>							
<p>(D) 4" SQUARE, FLUSH (BO)</p>  <p>1-1/2" Deep</p> <p>Used with Series AH, AS, B6, B10, HS, MBDC, MH115, MTH, NH, NS, SETSF, SET-ULC, ST, ZH, ZR</p>	<p>(G) DOUBLE-GANG, SURFACE (BO)</p>  <table border="1" data-bbox="548 1686 678 1770"> <tr> <td>L</td> <td>W</td> </tr> <tr> <td>4-3/4"</td> <td>4-3/4"</td> </tr> <tr> <td>D.</td> <td>GANG #</td> </tr> <tr> <td>1-3/4"</td> <td>2</td> </tr> </table> <p>Used with Series AH, AS, NH, NS, ST</p>	L	W	4-3/4"	4-3/4"	D.	GANG #	1-3/4"	2	<p>(K) WBBS WEATHER RESISTANT BACKBOX ORDER CODES - RED: 500-636129 WHITE: 500-636131 Sturdy die cast housing, threaded conduit hole and knockout for outdoor applications.</p>  <p>Used with Series AH, B6, B10, MBDC, MH115, MTH-15-115, SETSF</p>
L	W									
4-3/4"	4-3/4"									
D.	GANG #									
1-3/4"	2									

Mounting Options – (continued)

<p>(L) ISPS2 SURFACE ADAPTER ORDER CODES - WHITE: 500-636195 RED: 500-636196</p> <p>Used with Series HS, MTH, SET</p>	<p>(P) SBBS BACKBOX ORDER CODES - RED: 500-636119, WHITE: 500-636120</p> <p>For surface mounting speakers, chimes, and electronic applications.</p> <p>Used with Series B6, B10, CH, DSC, HS, MBDC, MTH, NH, NS, SEF, SET, SETFL, ST</p>	<p>(T) WPSBBS ORDER CODES - RED: 500-636139, WHITE: 500-636140</p> <p>Used with Series ST-WP</p>
<p>(M) MT-SUR-BOX BACKBOX ORDER CODES - RED: 500-693168 WHITE: 500-636118</p> <p>Used with Series HS, SET (MTH, MTWP: For surface mounting on MT products.)</p>	<p>(Q) 4\"/> <p>Used with Series CH, SE, SEF, SEH, SETFL, SET</p> </p>	<p>(U) 5\"/> <p>Used with Series CH, SE, SEF, SET</p> </p>
<p>(N) DBBS BACKBOX ORDER CODE - RED: 500-636111</p> <p>Standard steel backbox provided with knockouts for interior surface mounting, concealed conduit mounting or semi-flush applications.</p> <p>Used with Series AH, AS, B6, B10, HS, MBDC, MH115, MTH, NH, SETSF, ST</p>	<p>(R) SFPS SEMI-FLUSH PLATE ORDER CODES - RED: 500-636124, WHITE: 500-636125</p> <p>Stamped aluminum surface wall plate, which mounts behind the basic unit, and serves to cover recessed backboxes in semi-flush mounting applications.</p> <p>Used with Series AH, AS, B6, B10, MBDC, MH115, MTH, NH, NS, SEF, SEH, SEFH, SETSF, ST</p>	<p>(V) SSB-4 CEILING SUPPORT BRIDGE</p> <p>Provisions for (4) J-nuts #8-32 lb 3-9/16\"/> <p>Square Material: Steel</p> <p>Used with Series SE</p> </p>
<p>(O) RETROFIT PLATE ORDER CODES - [PENDING]</p> <p>Used with Series B6, B10, MBDC, MTH, NH, SE</p>	<p>(S) APS ADAPTER PLATE ORDER CODE - RED: 500-636109</p> <p>Stamped aluminum adapter plate designed for applications where semi-flush installations cannot be used. The plate can be mounted to standard octagon or round backboxes single or double gang boxes or plaster rings. The backbox and basic unit are then fastened to the plate. This type of mounting is referred to as 'concealed conduit installation.'</p> <p>Used with Series B6, B10, MBDC</p>	<p>(X) SHBBS SQUARE, SURFACE BACKBOX ORDER CODES - RED: 500-636126, WHITE: 500-636127</p> <p>Used with Series AH, AS, DSC, NH, ST, ZH, ZR</p>

Mounting Options – (continued)

<p>(Y) SERS SQUARE SEMI-FLUSH EXTENSION RING ORDER CODES - RED: 500-636122, WHITE: 500-636123</p> <p>Used with Series CH, SE, SEF, SET</p>	<p>(BB) SPSSB ORDER CODES - RED: 500-636114, WHITE: 500-636115</p> <p>Used with Series SEH, SEFH</p> <p>Used with Series SE-MC/HMC (wall mount speaker/strobe)</p>	<p>(EE) SPEXT EXTENSION RING ORDER CODES - RED: 500-636116, WHITE: 500-636117</p> <p>Used with Series SE-MC-C (Ceiling Mount Strobe)</p>	
<p>(Z) SBL2S BACKBOX ORDER CODE - RED: 500-636121</p> <p>Used with Series ST</p>	<p>(CC) SB-W 8" CEILING SUPPORT BRIDGE ORDER CODE - WHITE: 500-634882</p> <p>Used with Series S 8" Ceiling Speakers</p>	<p>(FF) ZB ORDER CODES - RED: 500-636193, WHITE: 500-636194</p> <p>Used with Series Z</p>	
<p>(AA) SPSB BACKBOX ORDER CODES - RED: 500-636112, WHITE: 500-636113</p> <p>Used with Series SE (Speakers), SEFH</p>	<p>(DD) SE-1 8" CEILING SPKR BACKBOX ORDER CODE - WHITE: 500-634884</p> <p>Used with Series S 8" Ceiling Speakers</p>	<p>(GG) WFPS PLATE ORDER CODES - RED: 500-636135, WHITE: 500-636136</p> <p>Used with Series AS-WP, MTH-WP, ST-WP, SET-WP</p>	<p>(HH) WFPAS PLATE ORDER CODES - RED: 500-636133, WHITE: 500-636134</p> <p>Used with Series AS-WP</p>
<p>(II) LFSBB BACKBOX ORDER CODES - RED: S54329-A9-A1, WHITE: S54329-A10-A1</p> <p>Used with Series LFS</p>			

Mounting Matrix (by Series)

	Series ST-WP (1), AS-WP (2), AH-WP (3), MTH and SET-WP (4)	Series AS / AH	Series B6	Series B10	Series CH	Series HS	Series LFS	Series MBDC	Series MH	Series MH115	Series MTH	Series NH / NS	Series S-HQ	Series SE-C	Series SE	Series SEH	Series SEF	Series SEFH	Series SET / SET (Wall Mount)	Series SET-C	Series SETSF	Series SETSF-B	Series ST	Series ST-MC-RETRO	Series ZH / ZR
(A) Universal Mounting Plate (included with AS series devices)		✓															✓								
(B) 1-GANG -x- 3-1/2" Deep - Flush (BO)		✓							✓			✓											✓		✓
(C) 1-GANG -x- 1-3/4" Deep - Surface (BO)									✓																
(D) 4" -x- 4" -x- 1.5" Deep - Flush (BO)		✓	✓	✓		✓		✓	✓		✓	✓											✓	✓	✓
(E) 4" -x- 4" -x- 2.125" Deep - Flush (BO)		✓	✓	✓		✓	✓	✓	✓		✓	✓			✓	✓	✓					✓	✓	✓	✓
(F) 2-GANG -x- 3.5" Deep - Flush (BO)		✓				✓					✓	✓											✓		✓
(G) 2-GANG -x- 1.75" Deep - Surface (BO)		✓										✓											✓		
(I) WPBBS-R Weatherproof Backbox for AS-WP	2																								
(J) BBS Surface (SP)			✓	✓				✓		✓		✓											✓		
(K) WBBS Weatherproof (SP)	3	✓	✓	✓				✓	✓												✓				
(L) ISP-S2 Surface Adapter											✓														
(M) MT-SUR-BOX Surface & Weatherproof (SP)	4					✓					✓							✓							
(N) DBBS Surface (SP)			✓	✓		✓		✓	✓		✓	✓							✓				✓		
(O) Retrofit Plate			✓	✓							✓					✓									
(P) SBBS Surface (SP)		✓	✓	✓	✓	✓		✓			✓					✓	✓	✓	✓	✓	✓	✓			
(Q) 4" -x- 4" -x- 2.125" Box [with 1.5" Extension Ring- Flush (BO)]						✓								✓	✓	✓	✓	✓	✓	✓	✓		✓		
(R) SFPS Semi-Flush Plate (SP)		✓	✓	✓				✓		✓	✓	✓				✓	✓	✓	✓	✓	✓	✓	✓	✓	
(S) APS Adapter Plate (SP)			✓	✓				✓											✓		✓				
(T) WPSBBS-R Weatherproof Backbox for ST-WP	1																								
(U) 5" Square Backbox w/ Extension Ring, Flush (BO)	W				✓								✓	✓	✓	✓	✓		✓		✓				
(V) SSB-4 Ceiling Support Bridge	E				✓								✓		✓										
(W) 4.6875" -x- 4.6785" -x- 2.125" Deep Surface (BO)	A																								
(X) SHBBS (SP) Shallow Surface	T	✓		✓								✓											✓		✓
(Y) SERS Semi-Flush Extension Ring (Retrofit Appl.)	H				✓											✓	✓	✓	✓	✓					
(Z) SBLS-2 Surface (SP)	E		✓	✓																		✓		✓	
(AA) SPSB Backbox for SE Speaker	R															✓									
(BB) SPSSB Backbox for `SEH' `SEFH' Hi-Fidelity Speakers and `SE' Series Speaker / Strobes	P														✓	✓		✓							
(CC) SP Ceiling Support Bridge	R												✓												
(DD) Ceiling Speaker Backbox	O												✓												
(EE) SPEXT Extension Ring	O													✓											
(FF) ZB	F																								✓
(GG) WFPS Plate	1, 2, 3, 4										✓												✓		
(HH) WFPAS Plate		✓																							
(I I) LFSBB Backbox							✓																		
Data Sheet Number	I	2578	2571	2571	2572	2576	2578	2570	2575	2574	2579 -and- 6634	2577	2586	2580	2580	2589	2582	2590	2581	2581	2583	2583	2573	2570	2584

Mounting Notes

⚠Caution: The mounting options figures show the maximum number of field wires (conductors) that can enter the back box used with each mounting option.

If these limits are exceeded, there may be insufficient space in the back box to accommodate the field wires and stresses from the wires could damage the product.

Although the limits shown for each mounting option comply with the National Electrical code (NEC), Siemens recommends use of the largest backbox option and the use of approved field wires whenever possible to provide additional wiring room for easy installation and minimum stress on the product from wiring.

⚠Caution: Check that the installed product will have sufficient clearance and wiring room prior to installing back-boxes and conduit, especially if sheathed multi-conductor cable or 3/4- inch conduit fittings are used.

1. Mounting hardware for each mounting option is supplied.
2. Conduit entrances to the back box should be selected to provide sufficient wiring clearance for the installed product.
3. When extension rings are required, conduit should enter through the back box, not the extension ring. Use Steel City #53151 (1-1/2" deep) or #53171 (2-1/8" deep) extension rings (as noted in the mounting options) or equal with the same cut-out area.
4. When terminating field wires, do not use more lead length than required. Excess lead length could result in insufficient wiring space for the appliance.

5. Use care and proper techniques to position the field wires in the back box so that they use minimum space and produce minimum stress on the product. This is especially important for stiff, heavy gauge wires and wires with thick insulation or sheathing.
6. Do not pass additional wires (used for other than the appliance) through the back box "unless the back box is of a sufficient size to permit additional wiring as described in NEC 314.16 (B)". Such additional wires could result in insufficient wiring space for the appliance.

Note: Due to continuous development of our products, specifications and offerings are subject to change without notice, in accordance with Siemens Industry, Inc. standard terms and conditions.

Back Box Mounting

Siemens Horizontal, Wall-Mounted Strobe Appliances NFPA-72 (2007)

7.5.4.1* — Wall-mounted appliances shall be mounted such that the entire lens is not less than 80 inches (203 cm.) and not greater than 96 inches (244 cm.) above the finished floor or at the mounting height specified using the performance-based alternative **7.5.4.5**.

7.5.4.2 — Where low ceiling heights do not permit mounting at a minimum of 80 inches (203 cm.), visible appliances shall be mounted within 6 inches (15 cm.) of the ceiling.

The room size covered by a strobe of a given value shall be reduced by twice the difference between the minimum mounting height of 80 inches (203 cm.) and the actual, lower mounting height.

Back box Mounting Options*

	Series `AS` `AH` Audible Strobe		Series ST- MC-RETRO (Flush and Surface Retrofit Plate)		Series `NS` Horn Strobe		Series `ST` and `Z` Strobe		Series `MTH` Multi-tone	
	80 IN.	6 IN.	80 IN.	6 IN.	80 IN.	6 IN.	80 IN.	6 IN.	80 IN.	6 IN.
(B) 1-Gang –x– 2" Deep - Flush (BO)	77 1/2"	8 1/2"		78 3/8"	7 5/8"	79 1/8"	6 7/8"			
(D) 4" –x– 4" –x– 1.5" Deep - Flush (BO)	77"	9"	83 15/16"	77 7/8"	1 1/8"	78 5/8"	7 3/8"	79 15/16"	6 1/16"	6 1/16"
(E) 4" –x– 4" –x– 2.13" Deep - Flush (BO)	77"	9"	83 15/16"	77 7/8"	8 1/8"	78 5/8"	7 3/8"	79 15/16"	6 1/16"	6 1/16"
(F) 2-Gang –x– 3.5" Deep - Flush (BO)	77 1/2"	8 1/2"		78 3/8"	7 5/8"	79 1/8"	6 7/8"	80 9/16"	5 7/16"	5 7/16"
(G) 2-Gang –x– 1.75" Deep - Surface (BO)	77 1/2"	8 1/2"		78 3/8"	7 5/8"	79 1/8"	6 7/8"	80 9/16"	5 7/16"	5 7/16"
(M) MT-SUR-BOX Surface and Weatherproof (SP)								79 3/8"	6 5/8"	6 5/8"
(P) SBBS Surface (SP)								79 1/4"	6 3/4"	6 3/4"
(U) 5" –square Back box with Extension Ring, Flush (BO)	69 1/2"	8 1/2"	83 7/16"	77 3/8"	7 5/8"	78 1/8"	6 7/8"	79 7/16"	5 9/16"	5 9/16"
(X) SHBBS (SP) Shallow Surface	76 1/2"	9 1/2"		77 3/8"	8 5/8"	78 1/8"	7 7/8"			
(Z) SBL2S Surface (SP)			78"							
(FF) ZB						78 1/8"	7 7/8"			

* Measured from Bottom of Back box

More Back box Mounting Options*

	Series `CH` Chime Strobe		Series `SET-V` Speaker Strobe		Series `SEF-C` Speaker Strobe		Series `SET-C` Speaker Strobe	
	80 IN.	6 IN.	80 IN.	6 IN.	80 IN.	6 IN.	80 IN.	6 IN.
(P) SBB Surface (SP)	77 3/4"	8 1/2"	79 3/16"	6 13/16"	77 3/4"	8 1/4"	77 3/4"	8 1/4"
(Q) 4" x 4" x 2.125" Box w/ 1.5" Extension Ring - Flush (BO)	77 1/2"	7 1/2"	80	6"	78 1/2"	7 1/2"	78 1/2"	7 1/2"
(U) 5" Square Back box with Extension Ring - Flush (BO)	78"	7"	79 1/2"	5 1/2"	78"	7"	78"	7"
(X) SHBB (SP) Shallow Surface	– –	– –	– –	– –	– –	– –	– –	– –
(Y) 4" x 4" x 1.5" Box w/ 1.5" Extension-Ring Plate - Flush (BO)	78 1/2"	7 1/2"	80"	6"	– –	– –	– –	– –

* Measured from Bottom of Back box

Notes: (BO) = By Others (SP) = s Product

Notice: This marketing data sheet is not intended to be used for system design or installation purposes. For the most up-to-date information, refer to each product's installation instructions.