

**Notifier RZA-4X
Remote Zone
Annunciator Module**

Product Installation Drawing
Document Number 15274 Rev B
ECN: 97-192 Print Date: 7/7/97

RZA-4X Remote Annunciator

The RZA-4X Remote Annunciator mounts on a standard single-gang box, and provides LED indication of the same functions as the 4XZM Zone Relay Module. For example, with DIP 1=ON and DIP 2=OFF:

- One Zone in Alarm (red)
- Two Zones in Alarm (red)
- Releasing Circuit 1 (red)
- Releasing Circuit 2 (red)
- System Trouble (yellow)

A Local Trouble Sounder and Silence Switch are also provided. All LED wiring is supervised for open conditions. Any open condition will cause the System Trouble LED to illuminate.

Note: The RZA-4X Remote Annunciator requires the use of an LED Interface Module (see Figure 1, reverse side).

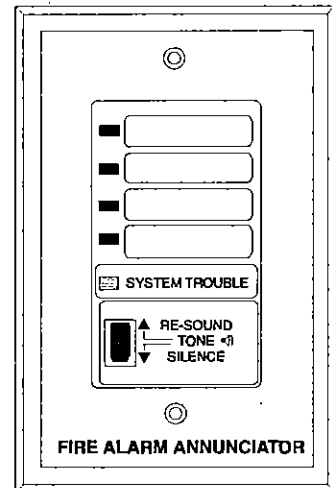
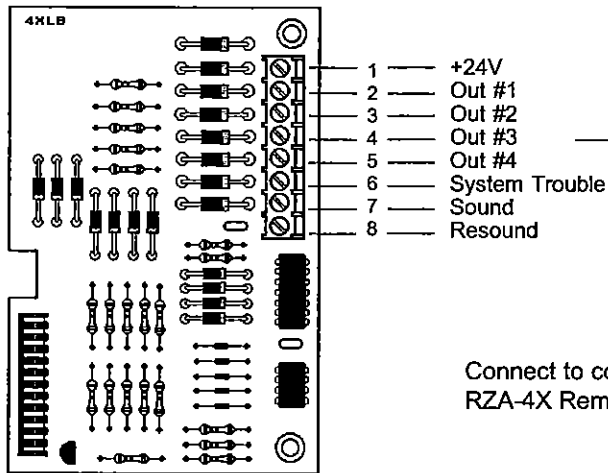


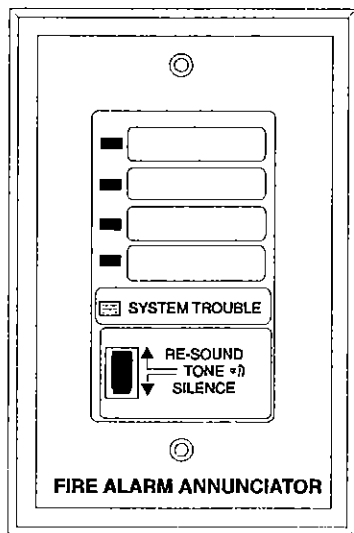
Figure 1 - Installation of the RZA-4X with 4XLM LED Module

LED Interface Module – 4XLM



Connect to corresponding terminals of RZA-4X Remote Annunciator.

Remote Annunciator – RZA-4X



Front View

